



Discount UP to 40% off
INVENTORY CLEARANCE
ULTIMATE BENEFITS

**SA
LE**

-- Professional Global OEM Bike Company since 2008.

-- Main business: OE Manufacturing and R&D of Road/MTB/GravelCarbon Rims, wheels, frames.

R0X-D | Aero Road



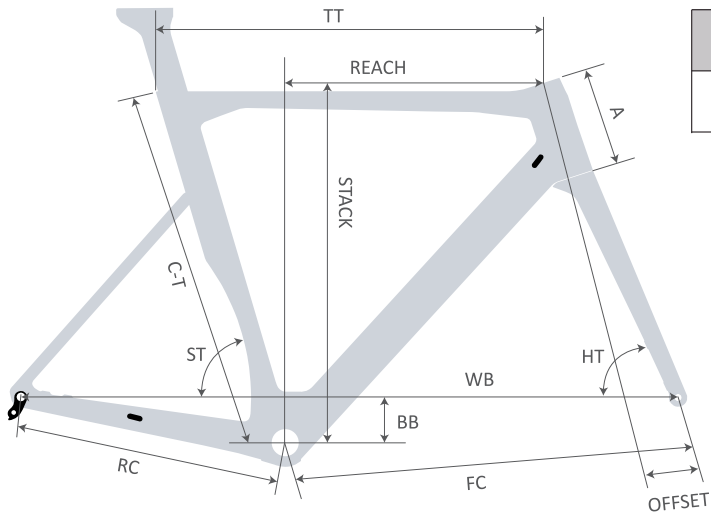
EXW XIAMEN CHINA: 389USD/SET

Including Frame + Fork + Seatclamp + Seatpost

Specification

Head Tube	1 1/2" - 1 1/2" (upper 52mm down 52mm, FSA standard)
Fork	Full internal cable routing, 45mm offset
Seat Post	Specific 350mm length, 15mm offset
Bottom Bracket	Pressfit BB86
Max Chainring	55-42T
Tire Max	700*28C
Brake Type	Disc Brake
Rotor	Shimano Flat Mount 140mm
Dropout O.L.D	Rear TA Φ 12*142mm, Fork TA Φ 12*100mm

R0X-D



SIZE	C-T	A	offset	TT	HT	ST	BB	RC	WB	FC	STACK	REACH
480	480	115	45	520	71.5	73.5	69	410	968.3	568.4	506.1	371.1

STOCK

1

FS911 | suspension XC



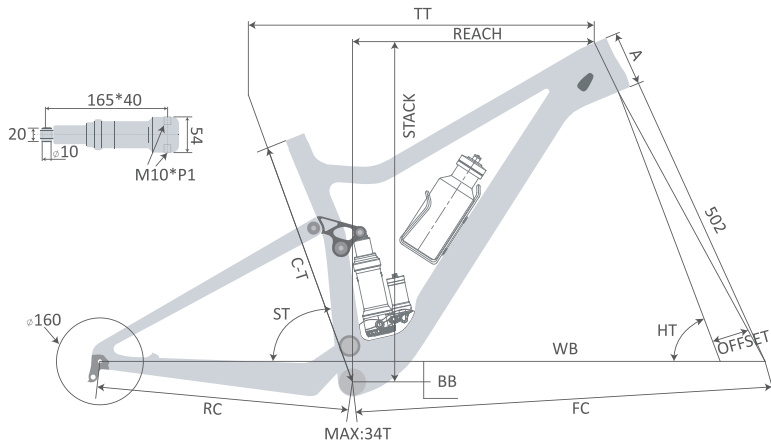
EXW XIAMEN CHINA: **399USD/SET**

Including frame/seatclamp



Specification	
Head Tube	Tapered 1 1/8" - 1 1/2" (FSA No.42 ACB)
Seat Tube	Φ31.6mm (clamp 34.9) Dropper seat post compatible
Seatpost Insert Length	S 160mm , M 180mm, L/XL 200mm
Rear Shock Size	20-54*165*40(45)mm (Standard mount and Trunion mount compatible)
Recommended Shock	Deluxe - rt3 - 165x40 / Monarch RL 165x38
Travel	Front 100-120mm, Rear 100-120mm
Bottom Bracket	Pressfit BB92
Max Tire	29er *2.35"
Rotor	Post Mount 160mm
Max Chainring	34T
Brake Type	Disc Brake
Dropout O.L.D	TA Φ12*148mm

FS911



SIZE	C-T	A	offset	TT	HT	ST	BB	RC	WB	FC	STACK	REACH
15.5"	410	95	51	567	67°	73°	-42	443	1133.5	688.6	604.1	393.2
19"	490	105	51	630	67°	73°	-42	443	1196.5	751.6	607.6	454.2

STOCK

3

3

M909 | 29er hardtail

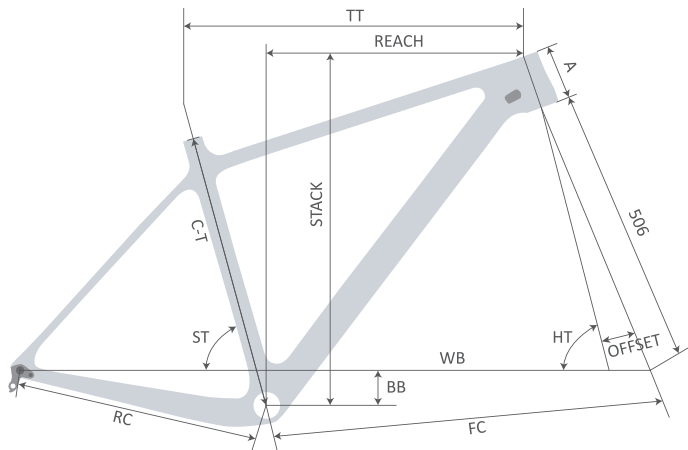


EXW Willich Germany: **249EURO/SET**

Including frame/seatclamp

Specification	
Head Tube	1 1/2" - 1 1/2" (integrated 42mm/52mm, FSA standard)
Seat Tube	31.6mm (34.9mm clamp)
Front Travel	100mm
Bottom Bracket	Pressfit BB92
Max Chaining	34T
Tire Max	29er *2.35"
Chainline	52mm
Brake Type	Disc Brake
Rotor	Post Mount 160mm
Dropout O.L.D	TA Φ 12*148mm

M909



SIZE	C-T	A	Offset	TT	Stack	Reach	HT	ST	BB	RC	WB	POST
15	380	90	46°	542	591.3	376	70°	74°	61	435	1048.6	31.6
19	483	95	46°	625	610.4	451	70°	74°	61	435	1129.5	

STOCK

4

5

FS836 | 29er Suspension

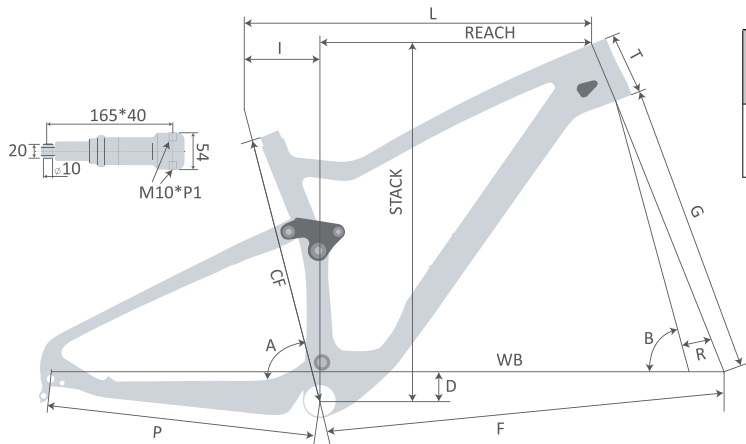
EXW Willich Germany: **459EURO/SET**

Including frame/seatclamp



Specification	
Head Tube	Tapered 1 1/8" - 1 1/2" (FSA No.42 ACB)
Seat Tube	Φ31.6mm (clamp 34.9) Droper seat post compatible
Seatpost Insert Length	S 160mm , M 180mm, L/XL 200mm
Rear Shock Size	Ø10*20L/165*40mm/Ø10*54L (trunion mount) Ø8*22L/165*38mm/Ø8*22L (standard mount)
Recommended Shock	Deluxe - rt3 - 165x40 (Travel 100mm) Monarch RL-165x38 (Travel 115mm)
Travel	Front 100mm, Rear 100-120mm
Bottom Bracket	Pressfit BB92
Max Tire	29er *2.35"
Rotor	Post Mount 160mm
Max Chainring	34T
Brake Type	Disc Brake
Dropout O.L.D	TA Φ12*148mm

FS836



SIZE	CF	L	I	A	B	F	P	T	D	R	G	STACK	REACH	WB	STOCK
15"	400	570	162.2	75°	65°	748.8	445	100	28	51	561	605.5	422.8	1192.4	2

G065D | Speed Gravel

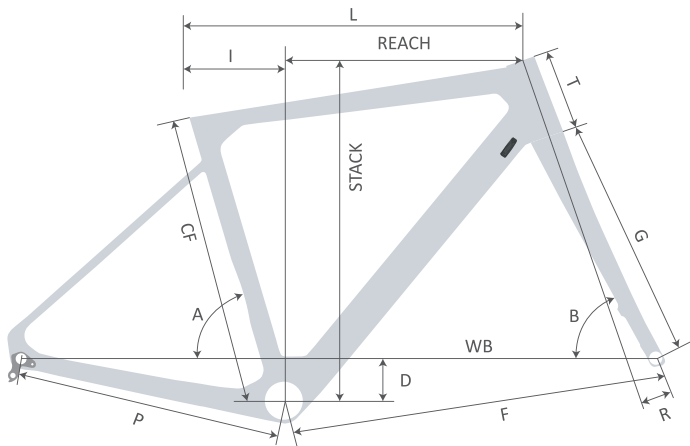


EXW Willich Germany: **369EURO/SET**

Including frame/fork/seatpost/seatclamp

Specification	
Head Tube	1 1/8" - 1 1/2" (Upper 42mm, Down 52mm)
Fork	Semi-internal cable routing, 50mm offset
Seat Post	Full carbon seat post, OD 27.2mm, 25mm offset, 350mm length
Bottom Bracket	Pressfit BB86.5
Max Chainring	53-39T
Tire Max	700C*41C & 650B*1.9"
Brake Type	Disc Brake
Rotor	Shimano Flat Mount 140mm or 160mm
Dropout O.L.D	Rear TA $\Phi 12 \times 142\text{mm}$, Fork TA $\Phi 12 \times 100\text{mm}$

G065D



SIZE	CF	L	I	A	B	F	P	T	D	R	G	STACK	REACH	WB
560	500	565	174.8	73°	72°	610.3	430	150	68	50	395	571.8	390.2	1031

STOCK

7

CX095D | All-road Gravel

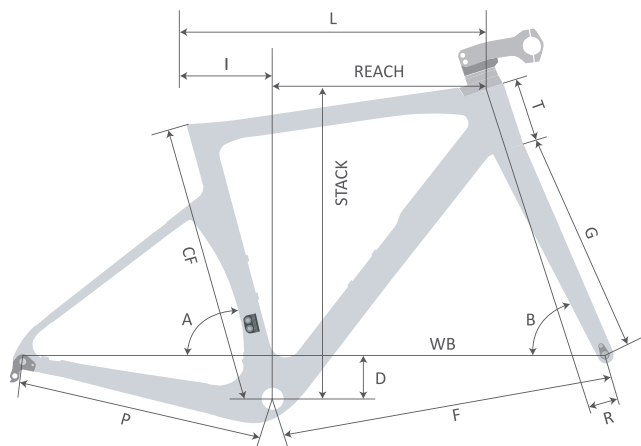
EXW Willich Germany: **399EURO/SET**

Including frame/fork/seatpost/seatclamp



Specification	
Head Tube	1 1/2" - 1 1/2" (upper 52mm lower 52mm, FSA standard)
Fork	Full internal cable routing, 45mm offset
Stem	10- degree, internal cable routing design with cable cover Size: 75/90/100/110/120mm
Seat Post	Full carbon specific seatpost, 7mm offset, 400mm length
Bottom Bracket	Pressfit BB86.5
Max Chainring	Shimano 50-34T
Tire Max	700C*38C
Brake Type	Disc Brake
Rotor	Shimano Flat Mount 140mm or 160mm
Dropout O.L.D	Rear TA Φ 12*142mm, Fork TA Φ 12*100mm

CX095D



SIZE	CF	L	I	A	B	F	P	T	D	R	G	STACK	REACH	WB
520	520	534.7	158.7	74°	71.5°	590.7	425	130	64	45	400	553.3	376	1007.4
540	540	545	167	73.5°	72°	591.3	425	140	64	45	400	564.5	378	1008
560	560	560	178.4	73°	72°	601.2	425	160	64	45	400	583.5	381.6	1018

STOCK

4

2

3

G095D | Speed Gravel



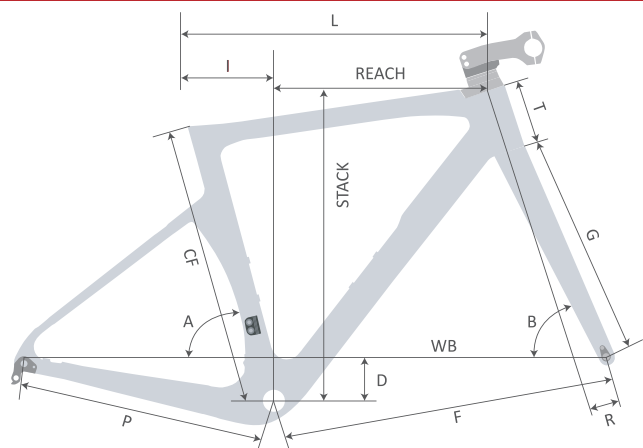
EXW Willich Germany: **399EURO/SET**

Including frame/fork/seatpost/seatclamp



Specification	
Head Tube	1 1/2" - 1 1/2" (upper 52mm lower 52mm, FSA standard)
Fork	Full internal cable routing, 45mm offset
Stem	10- degree, internal cable routing design with cable cover Size: 75/90/100/110/120mm
Seat Post	Full carbon specific seatpost, 7mm offset, 400mm length
Bottom Bracket	Pressfit BB86.5
Max Chainring	50-34T
Tire Max	700C*50C & 650B*2.25"
Brake Type	Disc Brake
Rotor	Shimano Flat Mount 140mm or 160mm
Dropout O.L.D	Rear TA Φ 12*142mm, Fork TA Φ 12*100mm

G095D



SIZE	CF	L	I	A	B	F	P	T	D	R	G	STACK	REACH	WB
520	520	534.7	158.7	74°	71.5°	590.7	435	130	64	45	400	553.3	376	1007.3

STOCK

3

G1005D | Adventure Gravel



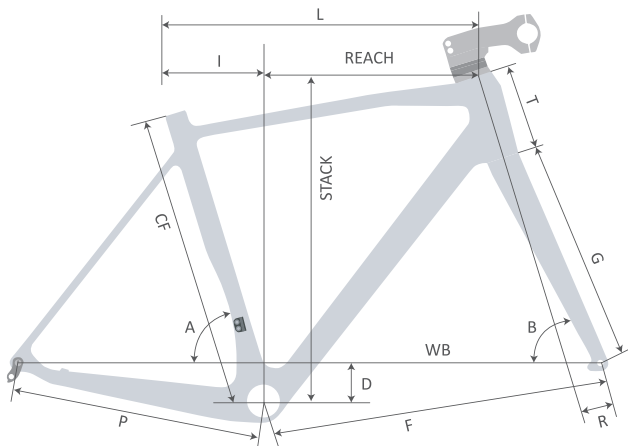
EXW Willich Germany: **409EURO/SET**

Including frame/fork/seatpost/seatclamp



Specification	
Head Tube	1 1/2" - 1 1/2" (upper 52mm lower 52mm, FSA standard)
Fork	Full internal cable routing, 50mm offset
Stem	10- degree, internal cable routing design with cable cover Size: 75/90/100/110/120mm
Seat Post	Full carbon seat post, OD 31.6mm, 25mm offset, 350mm length
Bottom Bracket	Pressfit BB86.5
Max Chainring	50-34T
Tire Max	700C*50C & 650B*2.25"
Brake Type	Disc Brake
Rotor	Shimano Flat Mount 140mm or 160mm
Dropout O.L.D	Rear TA $\Phi 12 \times 142\text{mm}$, Fork TA $\Phi 12 \times 100\text{mm}$

G1005D



SIZE	CF	L	I	A	B	F	P	T	D	R	G	STACK	REACH	WB
490	490	525	150	74.5°	70.5°	595.4	435	120	67	50	395	537.7	375	1025.5
560	560	560	180	73°	72°	605.8	435	170	67	50	395	588.9	380	1031.8
580	580	575	191	72.5°	72°	615.3	435	190	67	50	395	605.9	384	1041.1

STOCK

5

1

1

FS848 | 29ER Trail Suspension

EXW Willich Germany: **589 EURO/SET**

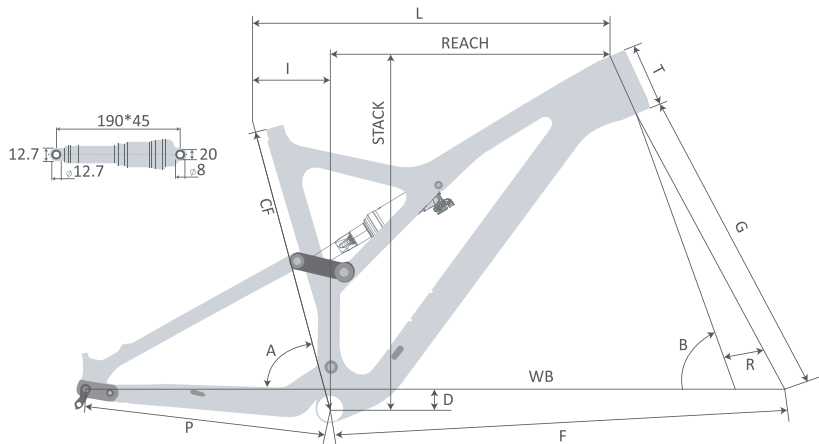


Including frame/seatclamp



Specification	
Frame Size	S/M/L/XL
Frame Weight	2380±40g / M / BB92
Head Tube	Straight 1 1/2" - 1 1/2" (Upper 52mm lower 52mm,FSA standard)
Seat Tube	Φ31.6mm (clamp 34.9) Droper seat post compatible
Seatpost Insert Length	S 190mm , M / L / XL 220mm
Rear Shock Size	Ø12.7*12.7L/190*45mm/Ø8*20L (No bushing kit needed)
Travel	Front 130-150mm, Rear 130mm
Bottom Bracket	Pressfit BB92
Max Tire	29er *2.6"
Rotor	Post Mount 160mm
Max Chainring	36T
Brake Type	Disc Brake
Dropout O.L.D	TA Φ12*148mm

FS848



SIZE	CF	L	I	A	B	F	P	T	D	R	G	STACK	REACH	WB
S	410	575	144.3	77°	66.5°	743.8	445	100	34.8	51	565	625.2	430.7	1186.6
M	440	605	145.4	77°	66.5°	774.7	445	105	34.8	51	565	629.8	459.6	1217.6
L	490	635	146.5	77°	66.5°	805.5	445	110	34.8	51	565	634.4	488.5	1248.5
XL	520	655	147.5	77°	66.5°	826.5	445	115	34.8	51	565	639	507.5	1269.4

STOCK

4

9

5

3